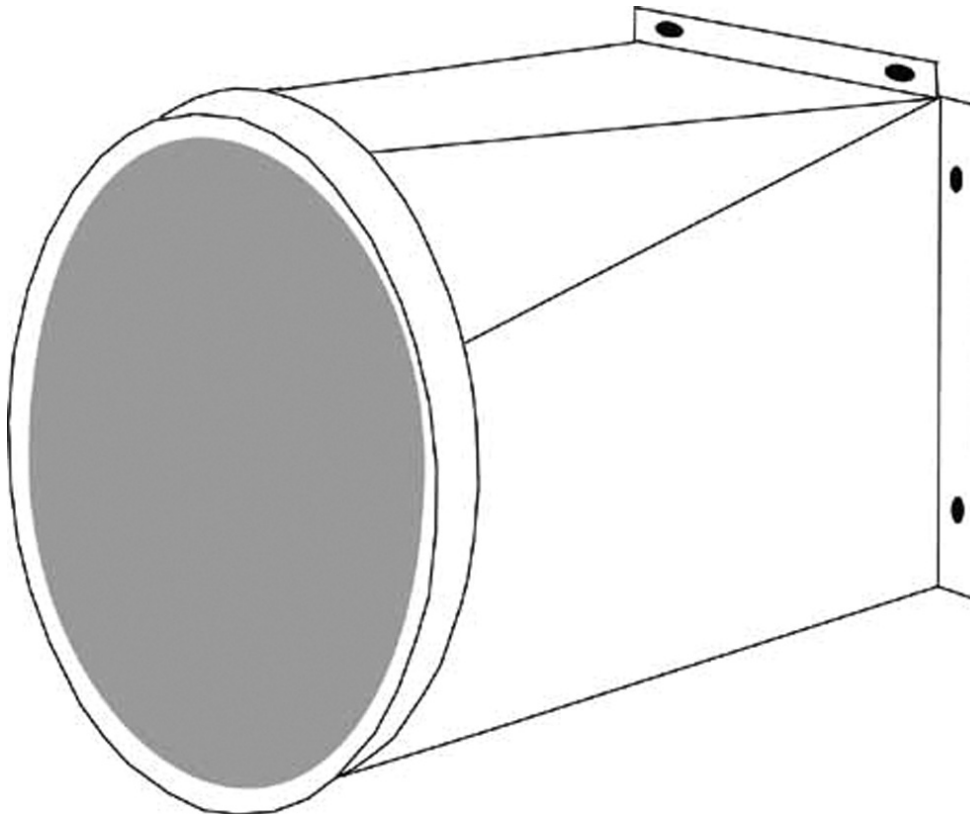




OUTLET Ø400 MM FOR FAN 84362



Part No
84382

TECHNICAL DATA

OUTLET Ø400 MM FOR FAN 84362

TECHNICAL DATA

Part No	84382
H.S. Code	84799070