

BATTERY POWERED GREASE GUN 20V 4 AH



Part No
13534

TECHNICAL DATA

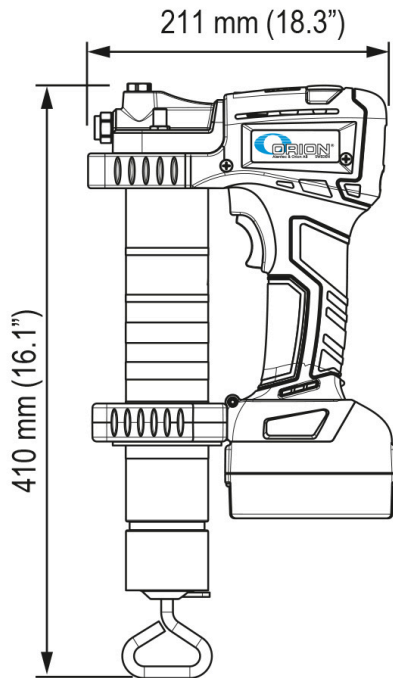
BATTERY POWERED GREASE GUN 20V 4 AH

Delivers up to 40 grease cartridges per charge free flow. LCD-display which shows battery status, grease meter, remaining grease in grease tube, warns if fitting is clogged, if grease tube has airpockets or is empty. Built in LED work light.

Includes:

Battery powered grease gun 20V, 1pc 20V 4Ah Lithium-Ion battery, Battery charger 230V, Hose 1100mm with hydraulic nozzle

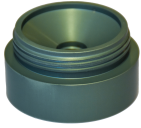


13534



TECHNICAL DATA

Part No	13534
Capacity	100 / 160 gr/min
Maximum pressure	50 (500) MPa (bar)
Hose length	1100 mm
Packaging LxWxH	0,57 x 0,12 x 0,37 m
Weight (Gross)	6,39 kg
H.S. Code	84135069

RELATED PRODUCTS

PART NO	DESCRIPTION	
14534	Adapter accordion cartridge Gray (Orion).	
1353401	Battery for 13534 4 Ah 20 V DC	
14726	Adapter for lever grease pumps for using MLS threaded cartridges	
1353402	Charger 230V for 13532 and 13534	