

BATTERY POWERED GREASE GUN 20V 2 AH



Part No
13532

TECHNICAL DATA

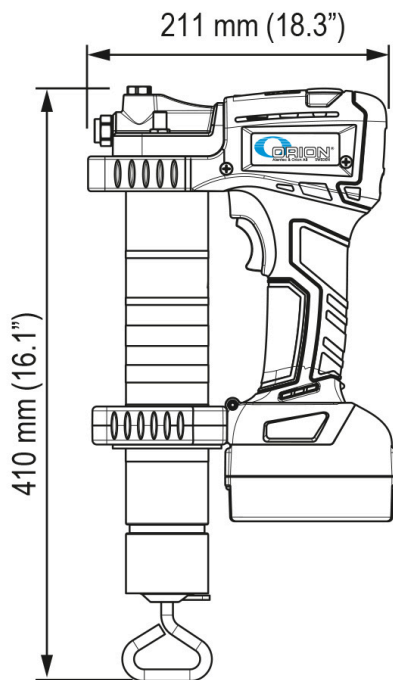
BATTERY POWERED GREASE GUN 20V 2 AH

Delivers up to 24 grease cartridges per charge free flow. LCD-display which shows battery status, grease meter, remaining grease in grease tube, warns if fitting is clogged, if grease tube has airpockets or is empty. Built in LED work light. Includes: Battery powered grease gun 20V

1pc 20V 2Ah Lithium-Ion battery, Battery charger 230V

Hose 1100mm with hydraulic nozzle



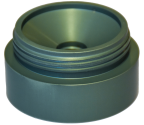
13532



TECHNICAL DATA

Part No	13532
Capacity	100 / 160 gr/min
Maximum pressure	50 (500) MPa (bar)
Hose length	1100 mm
Packaging LxWxH	0,57 x 0,12 x 0,37 m
Weight (Gross)	6,185 kg
H.S. Code	84135069

RELATED PRODUCTS

PART NO	DESCRIPTION	
1353201	Battery for 13532 2 Ah 20 V DC	
14726	Adapter for lever grease pumps for using MLS threaded cartridges	
14534	Adapter accordion cartridge Gray (Orion).	
1353402	Charger 230V for 13532 and 13534	