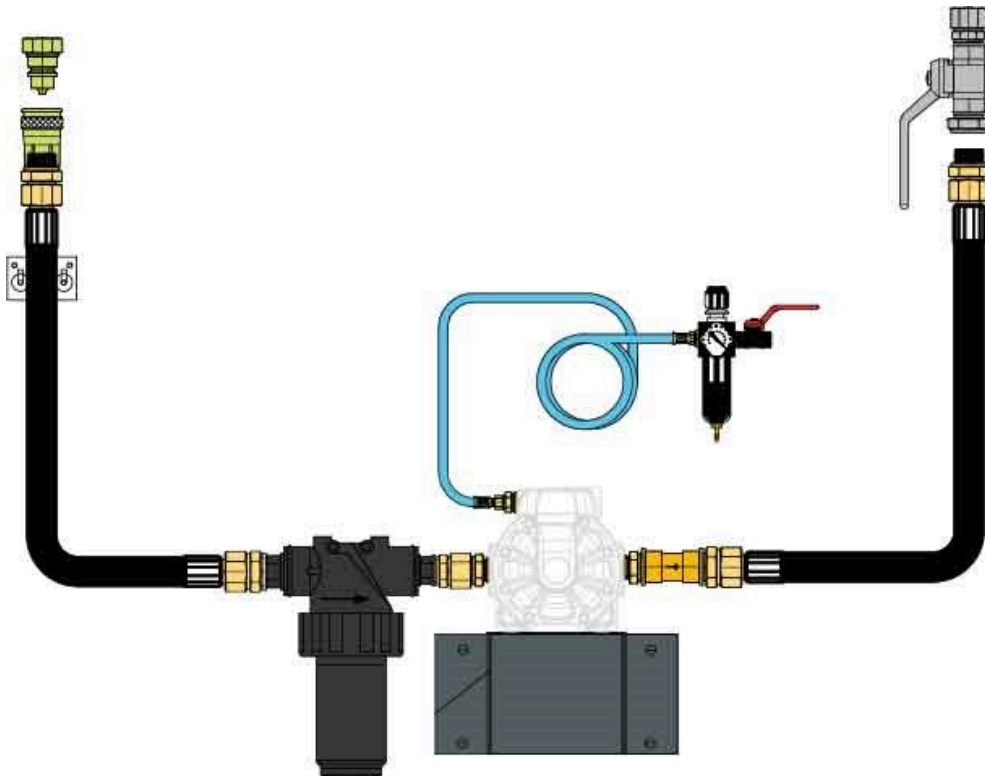


## INSTALLATION KIT WASTE OIL WALL MOUNTED AIR OPERATED DIAPHRAGM PUMP 1" AND STRAINER (EXCL FRL UNIT)



Part No  
99762

## TECHNICAL DATA

### INSTALLATION KIT WASTE OIL WALL MOUNTED AIR OPERATED DIAPHRAGM PUMP 1" AND STRAINER (EXCL FRL UNIT)

Non return valve (28295) and strainer 29300 included.  
Pump not included.

#### TECHNICAL DATA

Part No	99762
H.S. Code	84139100