



Instructions

EN INSTRUCTIONS



NEX·U® U-VIEW TANK



Product images and specifications are subject to change without notice.
Original document in Spanish.

MISUSE OF EQUIPMENT



- This device is for professional use only. Read the instruction manual and warnings carefully before operating the equipment.
- The device is intended to be integrated into a management system.
- Do not modify the device.
- Use the device only for the purpose for which it was designed.
- Install and use the equipment in accordance with all local and national regulations, including health, safety, and environmental laws and regulations.
- Use only original NEX·U® replacement kits.
- This device has not been approved for use in commercial transactions.
- Any unauthorized modification of the device, misuse, improper maintenance, or removal of identification labels may void the warranty.
- Regularly check the system components. Replace broken or worn parts.

ELECTRICAL LIMITS



- Do not exceed the device's permitted electrical ranges. See the TECHNICAL SPECIFICATIONS section.

SAFETY MEASURES



- Ensure that operators using this equipment are trained in its operation, the product, and its limitations.



- Use the necessary safety equipment.
- To ensure the correct operation of this device, any maintenance work must only be carried out by qualified personnel. Disconnect the device from the power supply, release any pressure stored in the line to which it is connected, and disconnect the equipment from the input system before carrying out any type of inspection or replacement of equipment parts.

EQUIPMENT OPERATION



- Check that the system is configured correctly before using it for the first time.

INFORMATION ON WASTE DISPOSAL



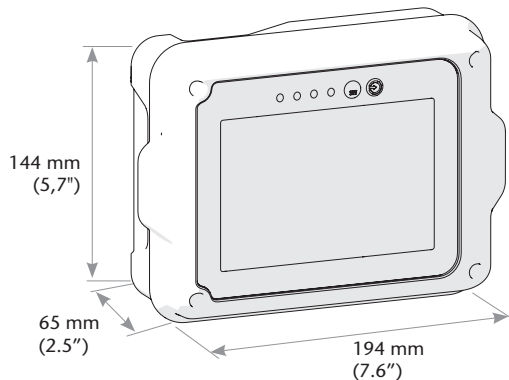
- The above symbol indicates that, in accordance with local regulations, your product and/or its battery must be disposed of separately from household waste. When this product reaches the end of its useful life, it must be taken to a collection point designated by the local authorities. Separate collection and recycling of the product or its battery at the time of disposal will help protect natural resources and ensure that it is recycled in a way that protects human health and the environment.

2. DESCRIPTION

- The **U-view tank** device is a new device in the NEXU management system family, within the remote display group. Its main function is to enable remote viewing of the level of the tanks being managed in the system, as well as to enable viewing of the status of the solenoid valve that controls the pump.
- In addition to real-time stock visualization, the equipment displays alerts and ultimately serves as a communication interface in the event of incidents, improving operational safety and optimizing process control.
- One of the important features of this equipment is its LED display, which allows remote viewing of the tank level.
- The **U-view tank** display is installed outside the storage room, or anywhere else in the facility, providing a clear, real-time reading of the level of stored fluids. This provides operators and supervisors with a constant view of the tank status without having to physically access the room, which is generally restricted by safety and access control regulations, improving safety and reducing the risk of exposure to hazardous materials.
- The remote display system connects to the main U-tank tank level control system via wired communication or wireless communication through U-connect. All of this is managed by the main U-net node.

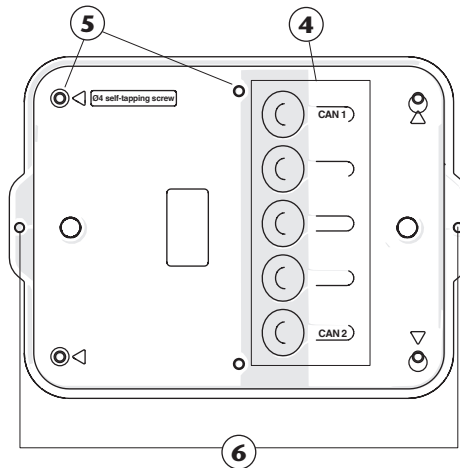
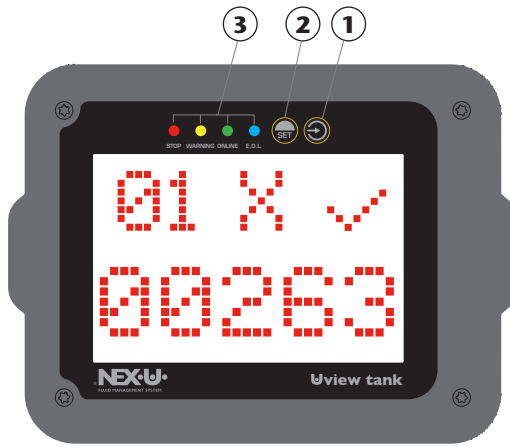
3. TECHNICAL SPECIFICATIONS

Supply voltage	24 V DC
CAN BUS connections	2
Status LEDs	4
Weight	0.5 kg (1.1 lb)



2026_06_24-12:15

- 1 ENTER button
- 2 RESET button
- 3 LEDs
 - STOP: tank stop level reached
 - WARNING: tank warning level reached
 - ONLINE: CANBUS communication OK
 - E.O.L.: end-of-life resistance activated
- 4 Wiring connections
- 5 Holes for mounting accessories
- 6 Panel mounting holes



2026_06_24-12:15

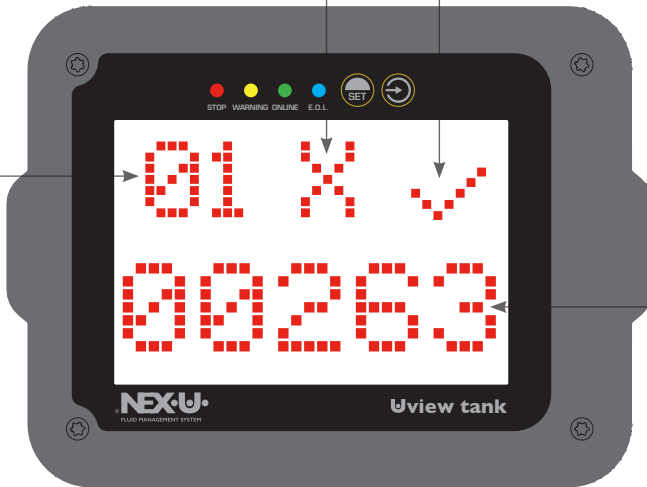
Pump Solenoid Control Valve Status

X = Solenoid valve closed
 ▼ = Solenoid valve active

Tank

Tank status.

X = Tank at standstill + Red LED
 ✓ = Tank in operation + Green LED
 ! = Deposit on notice + yellow LED



Deposit ID

Deposit ID numbering at the facility.

Display Modes

The device has two display modes that can be configured from the U-Track and from the U-Tank:

1. Real-time quantity.
 00263 = Example of current tank volume (in liters)
2. Percentage relative to capacity.
 45% = Example of percentage relative to total tank capacity.

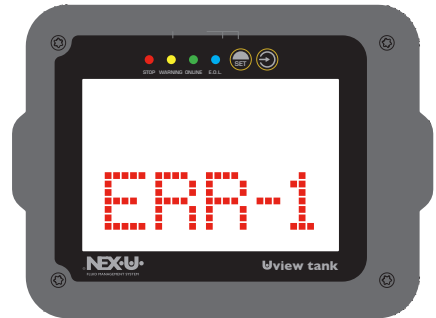
Within the status display, the system can report incidents found with the configuration or connected probes to the user.

ERR-0

Amount received out of range.

**ERR-1**

Probe not connected.

**ERR-2**

Probe measurement out of range.



2026_06_24-12:15



2026_06_24-12:15





EC DECLARATION OF CONFORMITY



The manufacturer

Alentec&Orion AB, Grustagsvägen 4, SE-13840, Ålta, Sweden

Declares under its own responsibility that the product:

23834 (53834)
U-VIEW TANK

complies with the directives: | **2014/30/EC**

This statement refers exclusively to the product in the state in which it has been marketed, excluding any components added and modifications made by the end user.

Krister Tynhage
Managing Director

Johan Norman
Product Manager

2026_06_24-12:15



NEXU
®
FLUID MANAGEMENT SYSTEM

www.alentec.com

2026_06_24-12:15