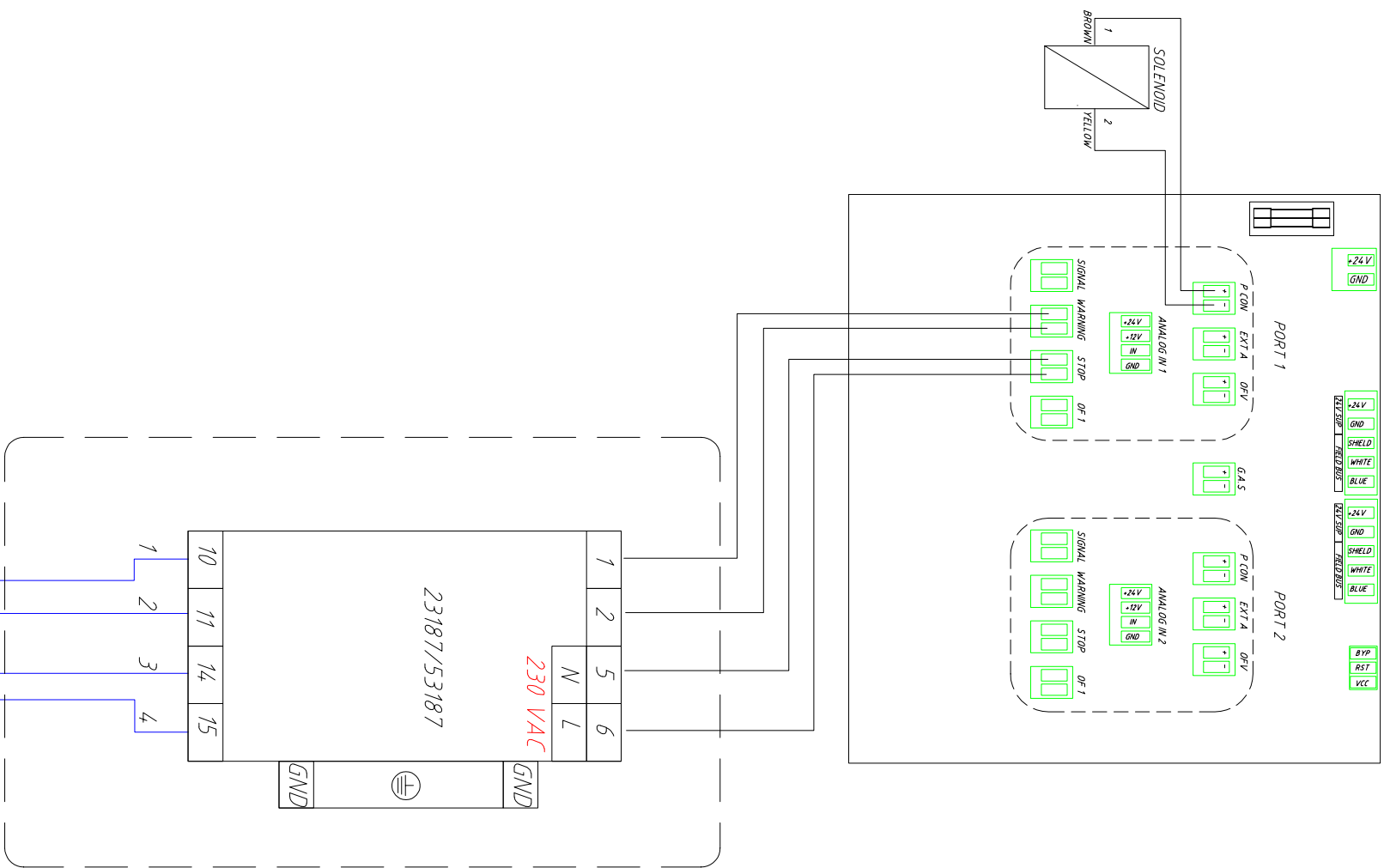
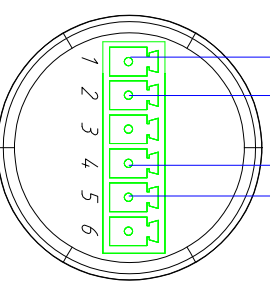


USED FLUID. SENSOR 23132/53132 (2-LEVEL) WITH 23187/53187 AND AIR SOLENOID



23164/53164



NEX.U
FLUID MANAGEMENT SYSTEM

Alentec & Orion AB
Grustagsvägen 4
SE-138 40 Alfta
Tel: +46 (0)8 747 67 00
Fax: +46 (0)8 715 20 74
E-mail: info@alentecc.se
www.alentec.com

RESPONSIBLE	MIKAEL COMSTEDT	DATE	24.10.23
DRAWN BY	MICO	DATE OF ORG	24.10.23
SCALE	1:1	CHECKED BY	KRITY
TYPE	SENSOR 23132/53132 AND 23187/53187	DATE	24.10.23
FILE NAME	ELECTRIC INSTALLATION UTANK DWG	PROJECT NO	
REV	4		